



AMERICLAD® AC-92DF  
www.americlad.com  
866-260-4047

MANUFACTURER:  
Quality Metalcrafts, LLC  
21925 Industrial Blvd.  
Rogers, MN 55374  
Telephone: (866) 260-4047  
Fax: (763) 255-3399  
Email: [info@americlad.com](mailto:info@americlad.com)

**AMERICLAD  
AC-92DF  
Louver**

**SECTION 08 90 00  
ALUMINUM LOUVER SYSTEM  
2" STATIONARY DRAINABLE LOUVER WITH FLANGE  
FRAME**

**PART 1 – GENERAL**

**1.1 RELATED DOCUMENTS**

- A. The drawings and provisions of the General Conditions, and the sections included under Division 1 specification sections, apply to this section

**1.2 SUMMARY**

- A. This section includes aluminum louvers

**1.3 SUBMITTALS**

- A. Product Data: Manufacturer's product literature
- B. Finish Samples: submit color samples for final approval
- C. Shop Drawings: submit shop drawings showing plans, sections and details

**1.4 QUALITY ASSURANCE**

- A. Manufacturer Qualifications: Minimum of five years experience in manufacturing of architectural products
- B. Installer Qualifications: Acceptable to manufacturer



- C. Production Qualifications: Louvers shall be licensed to bear AMCA Certified Ratings Seal Applies to air performance and water penetration ratings

### 1.5 DELIVERY, STORAGE AND HANDLING

- A. Delivery: deliver louvers in manufacturer's crates packed for long haul transit
- B. Storage: store materials in a dry and safe area
- C. Handling: handle materials to avoid any damage to materials and finishes

### 1.6 WARRANTY

- A. The contractor must warrant the materials to be free of defects in accordance with the general conditions. Finish warranty shall be extended by paint manufacturer's standard warranty
- B. Manufacturer shall provide a standard limited warranty for louver system for a period of one year from date of installation and no more than eighteen months after shipment from manufacturing plant

## PART 2 – PRODUCTS

### 2.1 MANUFACTURER

- A. Quality Metalcrafts, LLC/AMERICLAD, 21925 Industrial Boulevard, Rogers, Minnesota 55374, Telephone: (866) 260-4047, [www.americlad.com](http://www.americlad.com)
- A. Approved equal submitted for approval 10 days prior to bid

### 2.2 FABRICATION

- A. Model: AC-92DF Aluminum Louver System, 2" fixed, drainable louver with flange frame
- B. Performance Ratings: AMCA Licensed
- C. Frame:
  - a. Depth: 2" (101.6 mm)
  - b. Material: Extruded aluminum 6063-T5
  - c. Wall Thickness: 0.081 inch (2.06 mm), nominal
  - d. Downspouts and caulking surfaces
- D. Blades:
  - a. Style: Stationary Drainable
  - b. Material: Extruded aluminum 6063-T5
  - c. Wall Thickness: 0.081 inch (2.06 mm), nominal
  - d. Angle: 37.5 degrees
  - e. Centers 2 inches (101.6 mm), nominal



## 2.3 ACCESSORIES

- A. Aluminum Sill: Provide sill flashing manufactured from same material and finish as louvers where indicated on drawings
- B. Screens: provide framed removable screens for exterior louvers
  - a. Bird Screens
  - b. Insect Screens
  - c. Blank off Panels
    - i. Insulated
    - ii. Non-insulated

## 2.4 FINISHES

- A. Paint:
  - 1. Coating shall be a Spray Applied Fluorocarbon Resin Utilizing a 70% Kynar 500/Hylar 5000 resin
  - 2. Color as selected by owner from paint manufacturer's standard colors or Custom color as specified
  - 3. Material to be painted in accordance with either AAMA specification 2605 or 2604
- B. Anodized:
  - 1. Class I, Clear Anodic Finish: AA-M12C22A41, mechanical finish, nonspecular as fabricated. Coating to have an anodic coating of 0.7 mil (0.018 mm) thickness
  - 2. Class I, Color Anodic Finish: AA-M12C22A42/A44, mechanical finish, nonspecular as fabricated. Color to be determined by Owner. Coating to have an anodic coating of 0.7 mil (0.018) thickness

## PART 3 – EXECUTION

### 3.1 PREPARATION

- A. Coordinate drawings, diagrams, and instructions for installation

### 3.2 INSTALLATION

- A. Install louvers at locations as indicated on the drawings and in accordance with the manufacturer's instructions
- B. Install louvers plumb, level, in plane of wall, and in alignment with adjacent work
- C. Install joint sealants as specified in section 07 90 00

### 3.3 CLEANING AND PROTECTION



AMERICLAD® AC-92DF  
www.americlad.com  
866-260-4047

- A. Clean exposed surfaces after installation per manufacturer's recommendation
- B. Touch up minor abrasions in finish with touch up paint supplied by finish applicator

**END OF SECTION**

## AC-92DF DRAINABLE STATIONARY LOUVER FLANGE FRAME

### STANDARD CONSTRUCTION

#### FRAME

- 2" deep, 6063-T5 extruded aluminum with a .063" nominal wall thickness

#### BLADES

- 6063-T5 extruded aluminum with a .063" nominal wall thickness
- Blades are positioned at a 45° angle

#### SCREEN

- 3/4" x .051" thick, aluminum flattened expanded metal bird screen in a removable frame
- Screen will add approximately 0.5" to the overall louver depth

#### FINISH

- Mill Finish

#### MINIMUM LOUVER SIZE

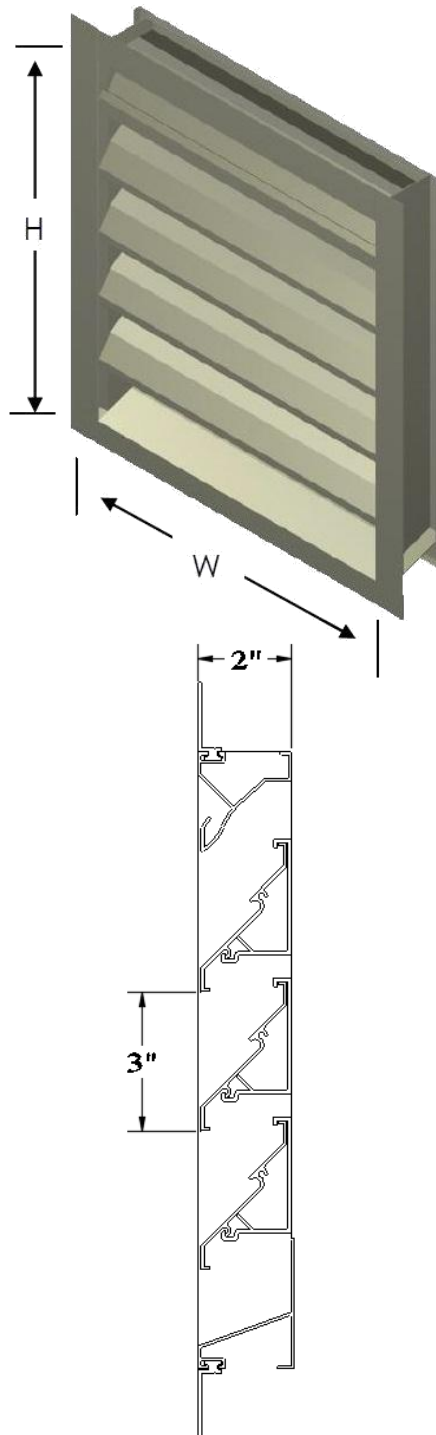
- 12" wide x 12" high

#### MAXIMUM LOUVER SIZE

- 70 square feet per section
- Single section size not to exceed 120" wide x 84" high or 84" wide x 120" high
- Louvers exceeding the maximum single section size will be built in multiple sections and require field assembly

#### BLADE BRACE SUPPORT ANGLES

- Depending on louver size, wind load, or other special requirements, louvers will have rear mounted blade support angles that will increase overall louver depth



### STANDARD FEATURES

- Aluminum construction, providing a high resistance to corrosion
- All welded construction for strength and durability
- 54% Free Area (based on a 48" x 48" unit)
- Drainable head collects and channels water to drainable jamb to provide excellent water penetration performance
- Drainable blade channels water to drainable jamb minimizing water cascade between blades
- Hidden mullions allow for continuous blade appearance up to 120"

### OPTIONS AVAILABLE

Many optional accessories to the basic design are available at an additional cost, including:

- Sill extension/head flashing
- Hinged frame/channel subframe
- Security bars
- Filter rack
- Bird/insect screens (please refer to screen submittal)
- Blank-off panels (standard or insulated)

### FINISHES

- Kynar 500/Hylar 5000
- Baked Enamel
- Prime Coat
- Anodized in various colors and shades (some color variation is possible with anodized finishes)

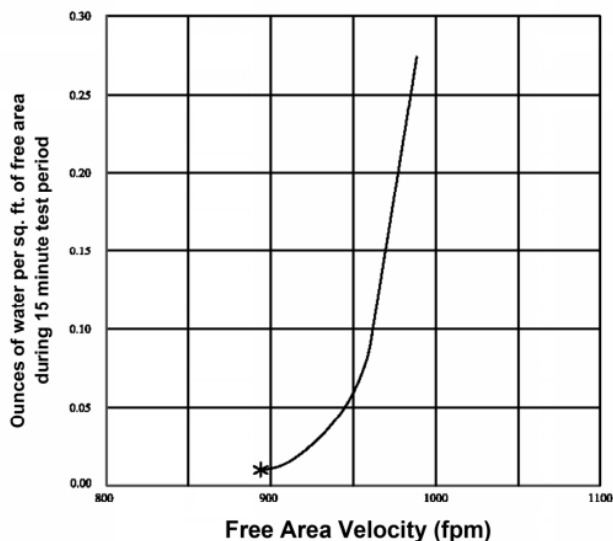
**Note: Louvers built .25" smaller than opening size given**

Contact Quality Metalcrafts, LLC / AMERICLAD® for any additional information or any special requirements

**AC-92DF PERFORMANCE DATA SHEET**

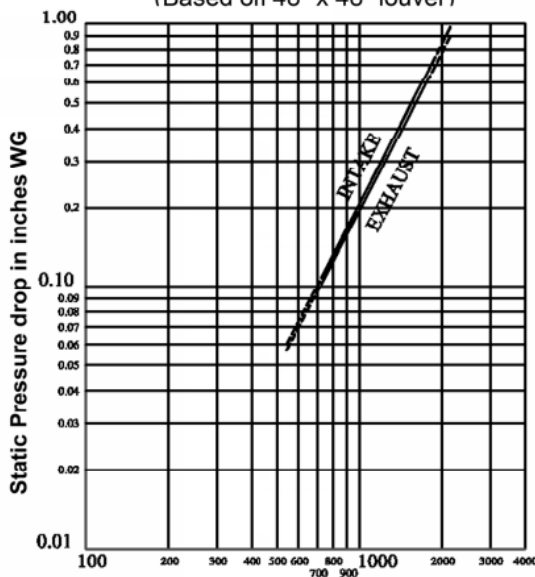
**WATER PENETRATION**

\* Beginning point of water penetration is 894 fpm  
(Based on 48" x 48" louver)



**PRESSURE DROP**

(Based on 48" x 48" louver)



Data corrected to standard air density,  
Tested to AMCA figure 5.5

**WATER PENETRATION**

AMCA defines the beginning point of water penetration as the free area velocity at which 0.01 ounces or less of water per square foot of louver free area is measured to pass through a 48" x 48" louver during a 15 minute period. The AMCA water penetration test provides test data for the comparison of louver designs as to efficiency in resisting the penetration of rainfall under specific laboratory test conditions.

**LOUVER SIZE DETERMINATION**

_____ cfm /	_____ fpm =	_____ ft <sup>2</sup>
air flow volume	free area velocity @ beginning point of water penetration	required louver free area
<b>Select louver size from Free Area Chart below, based on required louver free area above.</b>		
<b>Determine pressure drop from Pressure Drop Chart based on required louver free area above.</b>		



Quality Metalcrafts, LLC certifies that the product line shown herein is licensed to bear the AMCA seal. The ratings shown are based on tests and procedures performed in accordance with AMCA Publication 511 and comply with the requirements of the AMCA Certified Ratings Program. The AMCA Certified Rating Seal applies to water penetration and air performance ratings for rectangular louvers only.

**AC-94D FREE AREA CHART**

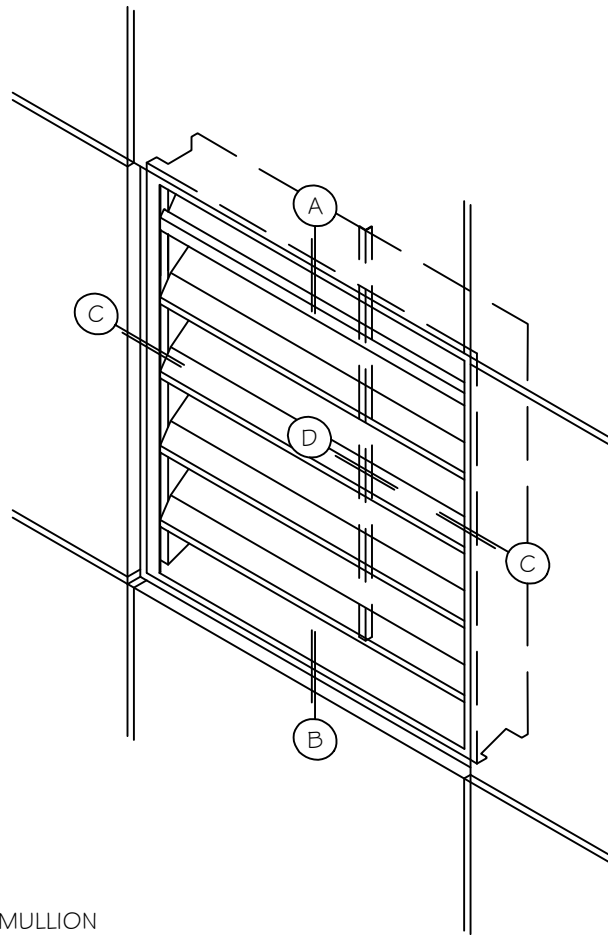
Free area chart shows square feet of free area of various louver sizes  
Free Area AMCA Licensed for openings up to 84" x 120"

H/W	12	24	36	48	60	72	84	96	108	120
<b>12</b>	0.38	0.83	1.27	1.72	2.16	2.61	3.05	3.50	3.94	4.39
<b>24</b>	0.87	1.89	2.92	3.94	4.96	5.98	7.00	8.02	9.05	10.07
<b>36</b>	1.41	2.24	4.71	6.36	8.02	9.67	11.32	12.97	14.62	16.27
<b>48</b>	1.94	4.20	6.47	8.73	11.00	13.26	15.53	17.79	20.06	22.32
<b>60</b>	2.43	5.27	8.11	10.95	13.79	16.64	19.48	22.32	25.16	28.00
<b>72</b>	2.97	6.44	9.91	13.38	16.85	20.32	23.79	27.27	30.74	34.21
<b>84</b>	3.49	7.58	11.66	15.75	19.83	23.92	28.00	32.09	36.17	40.26
<b>96</b>	3.98	8.64	13.30	17.97	22.63	27.29	31.95	36.61	41.27	45.94
<b>108</b>	4.52	9.81	15.10	20.39	25.69	30.98	36.27	41.56	46.85	52.14
<b>120</b>	5.04	10.95	16.86	22.76	28.67	34.57	40.48	46.38	52.29	58.19



AC-92DF

# LOUVER - 2 INCH W/ FLANGE



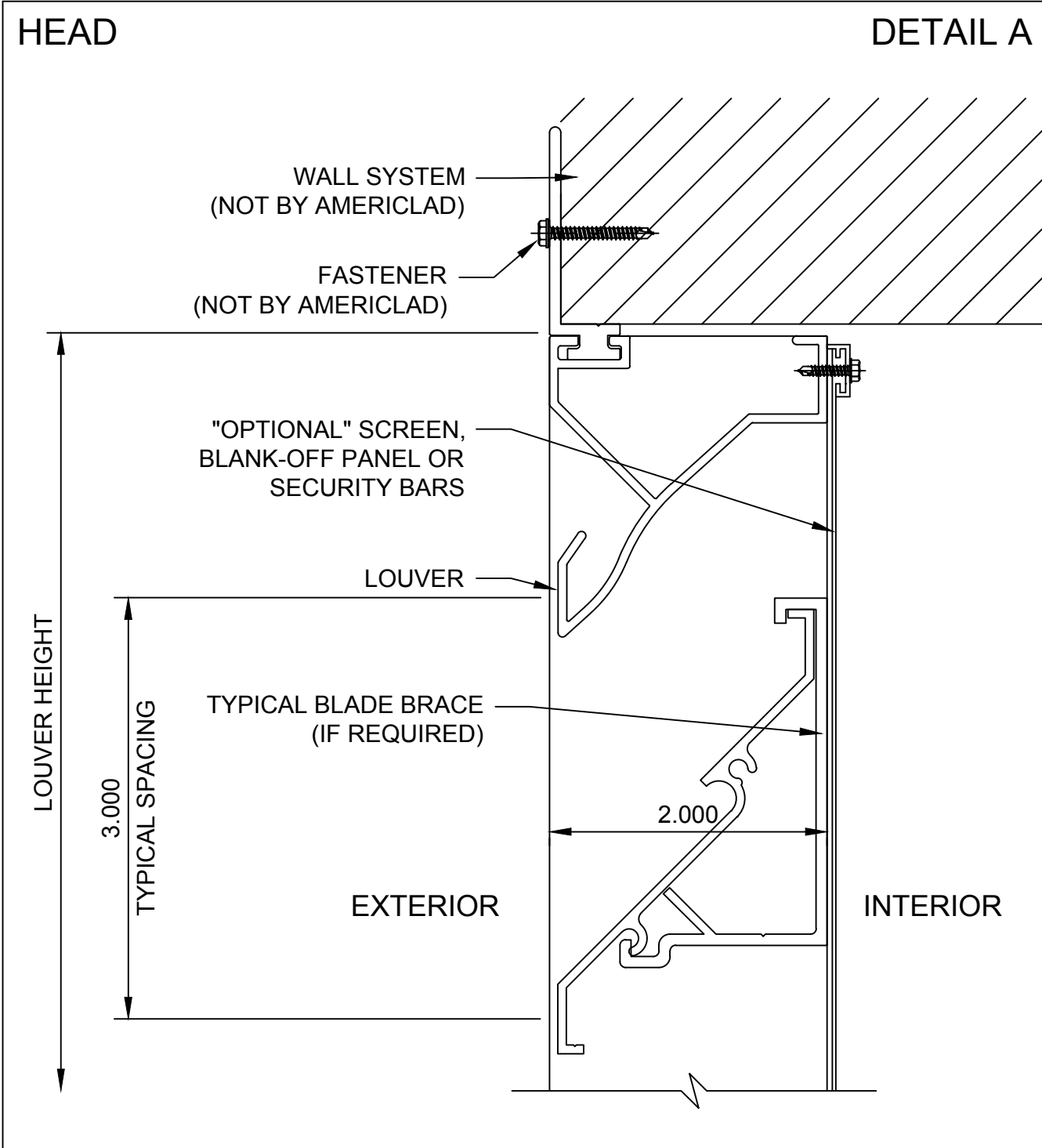
- (A) HEAD
- (B) SILL
- (C) JAMB
- (D) HIDDEN MULLION
- (E) SPECIAL SHAPE LOUVERS

COPYRIGHT QUALITY METALCRAFTS, LLC

21925 Industrial Boulevard · Rogers, Minnesota · Toll-Free: 1-866-260-4047 · [americlad.com](http://americlad.com)  
Architectural Metal Products



AC-92DF



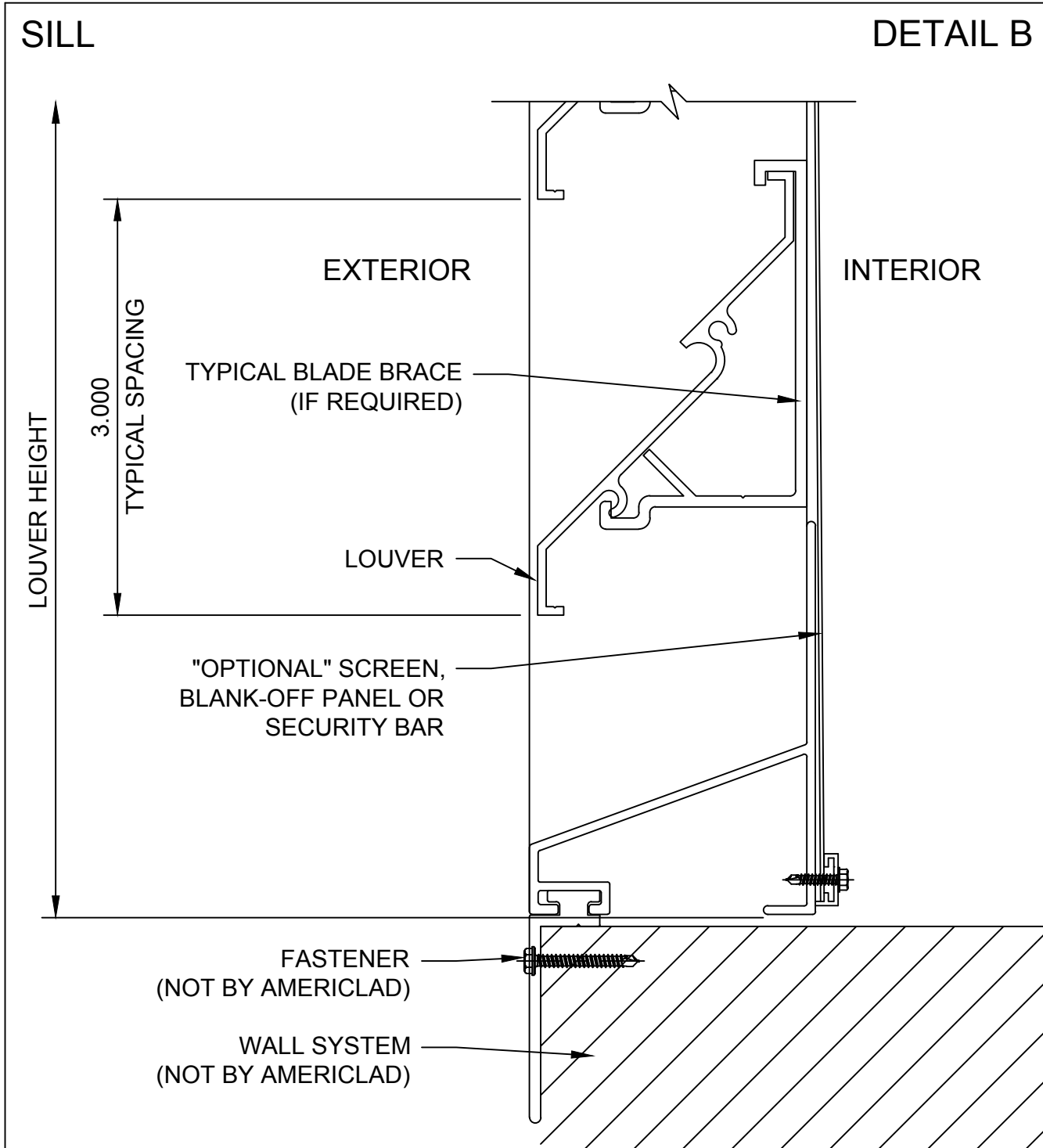
COPYRIGHT QUALITY METALCRAFTS, LLC

21925 Industrial Boulevard · Rogers, Minnesota · Toll-Free: 1-866-260-4047 · [americlad.com](http://americlad.com)  
Architectural Metal Products





AC-92DF



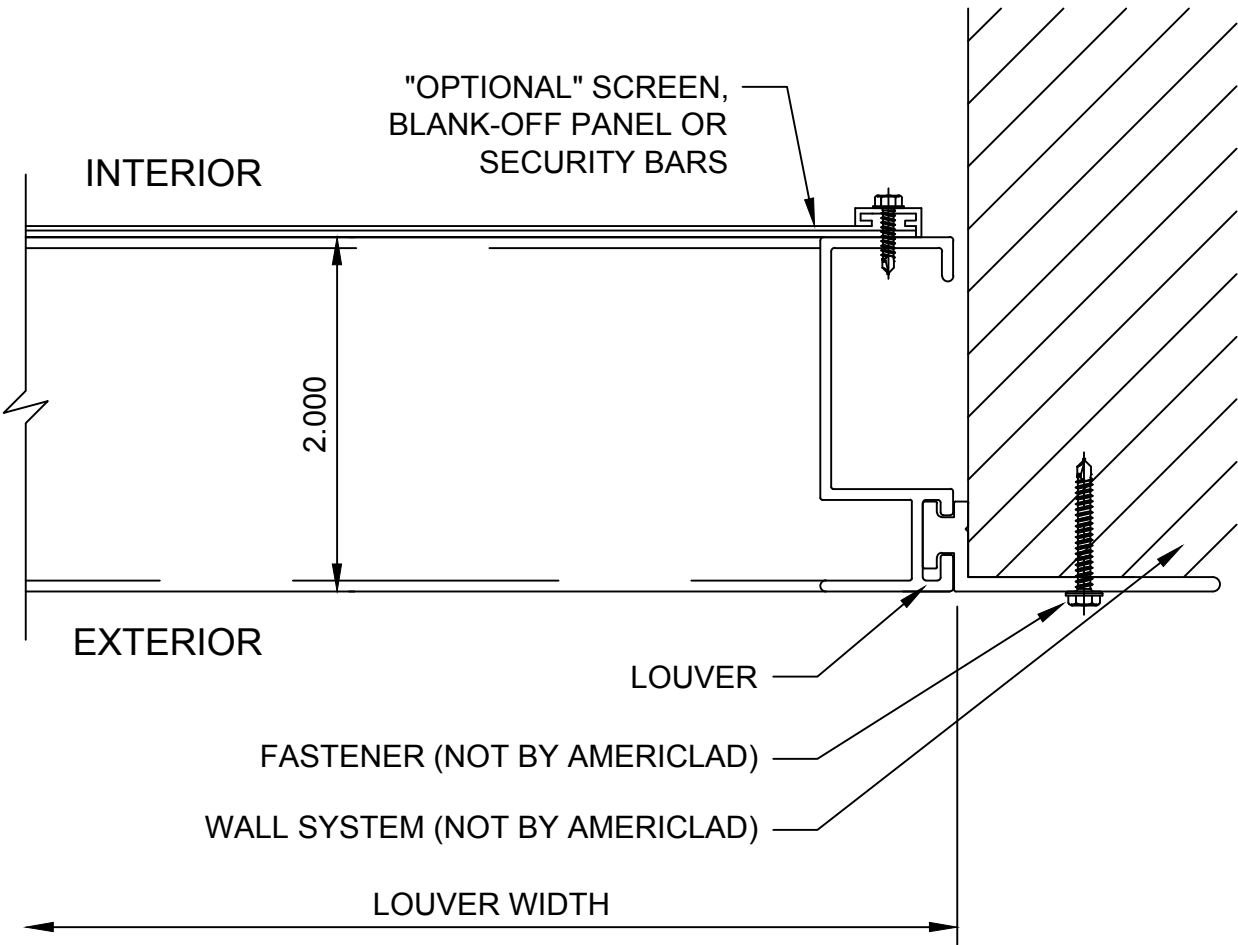
COPYRIGHT QUALITY METALCRAFTS, LLC



AC-92DF

JAMB

DETAIL C



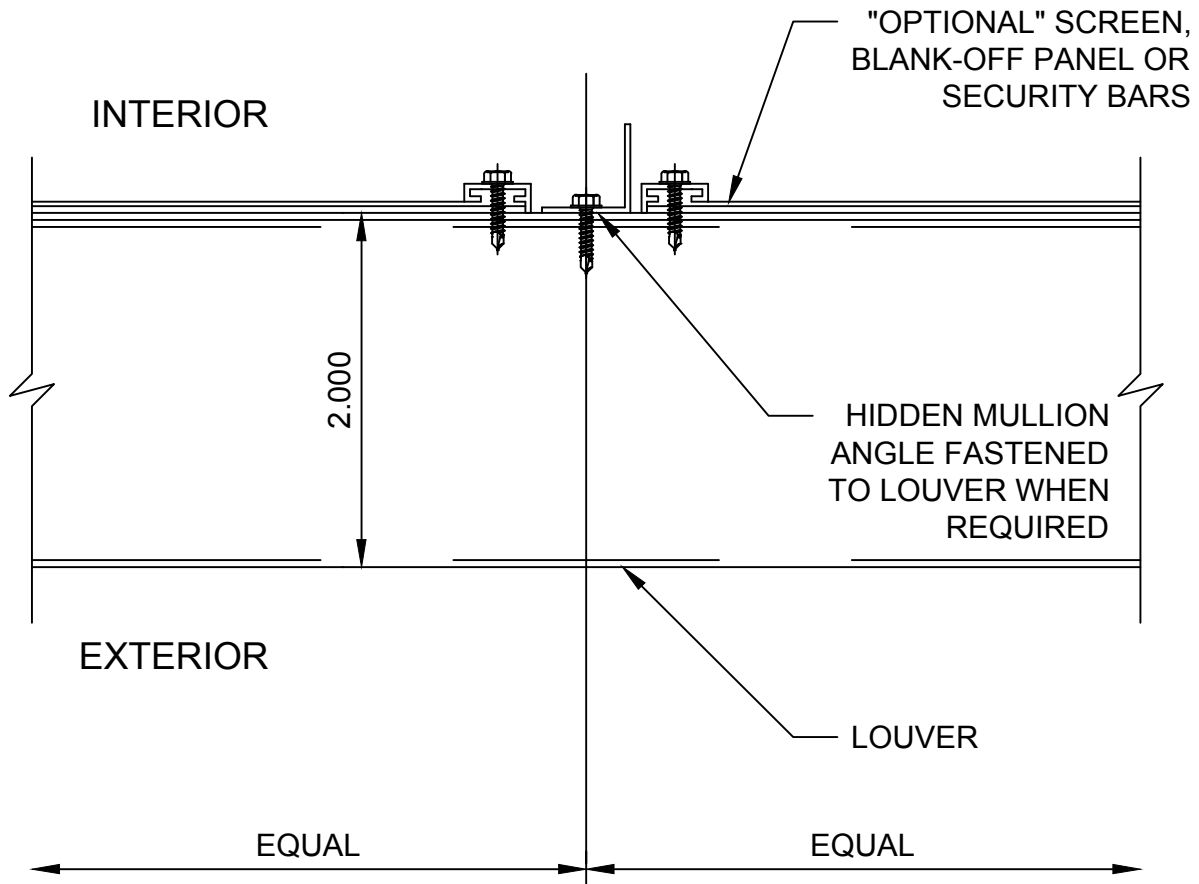
COPYRIGHT QUALITY METALCRAFTS, LLC



AC-92DF

HIDDEN MULLION

DETAIL D



COPYRIGHT QUALITY METALCRAFTS, LLC

21925 Industrial Boulevard · Rogers, Minnesota · Toll-Free: 1-866-260-4047 · [americlad.com](http://americlad.com)

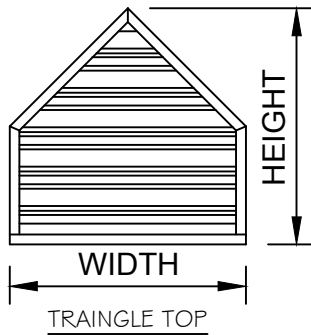
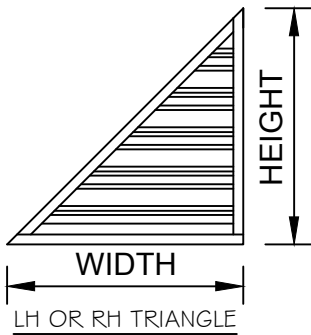
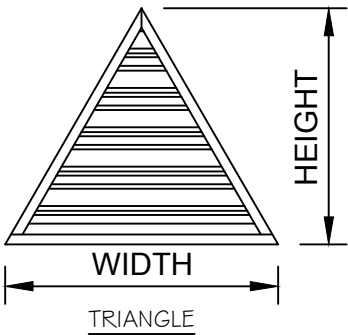
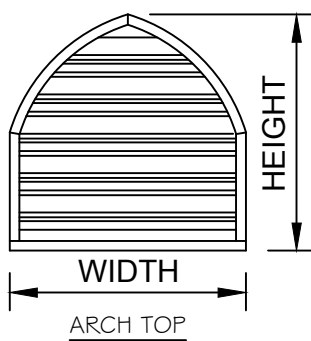
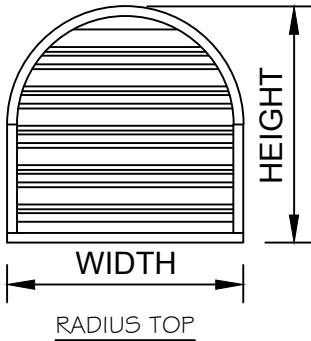
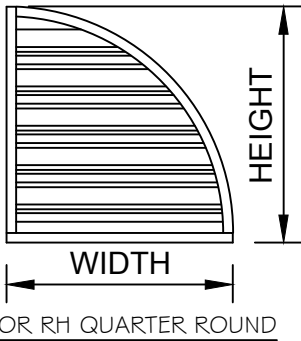
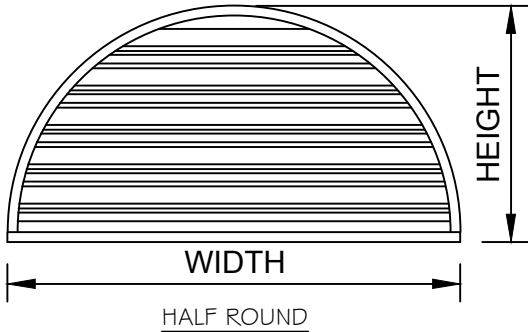
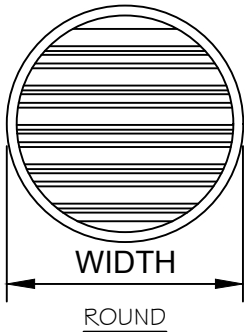
Architectural Metal Products



AC-92DF

SPECIAL SHAPE LOUVERS

DETAIL E



COPYRIGHT QUALITY METALCRAFTS, LLC